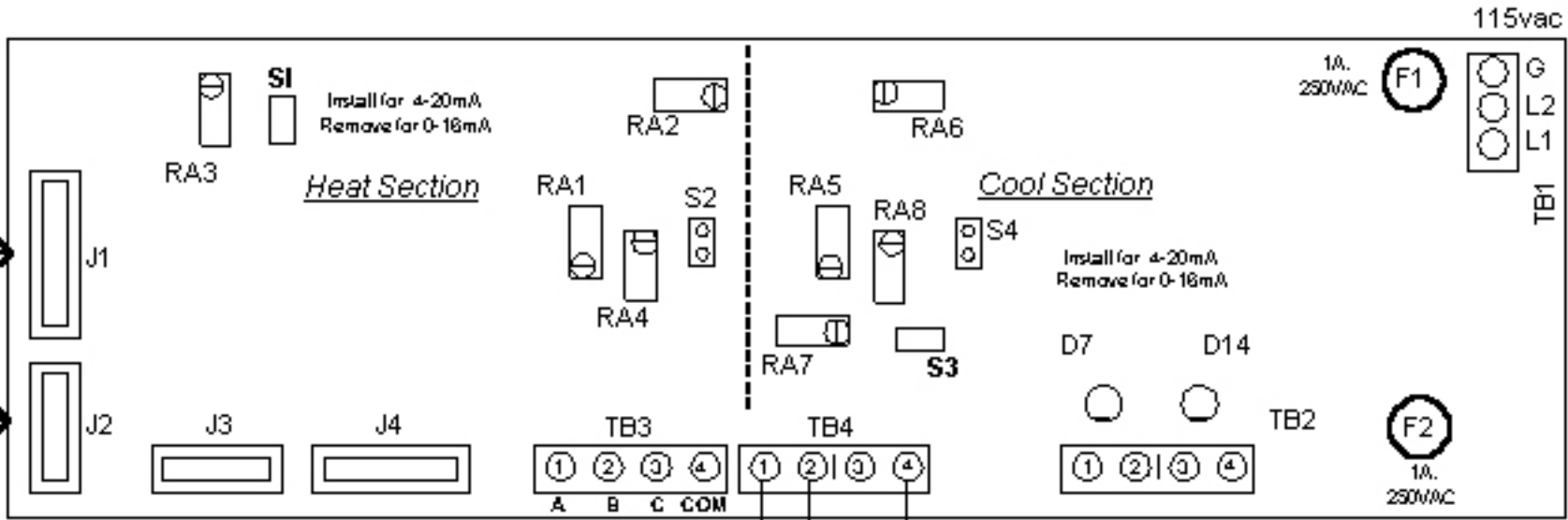


A2336 Dual Loop Fast Analog Output PCB (& Dual Sync)



TB2 Pin: (see note 1)
 1 - Cool 4-20mA
 2 - Cool Gnd.
 3 - Heat 4-20mA
 4 - Heat Gnd.

NOTE 1:

Cool output TB2 1 & 2 is operational ONLY when the Model 620A/600A, Loop 1 is configured for DUAL action. All other Loop 1 output configurations provide an output on TB2 3 & 4 (Heat). (Reverse, Direct, 12mA null, Setpoint Retransmit and Process Retransmit)

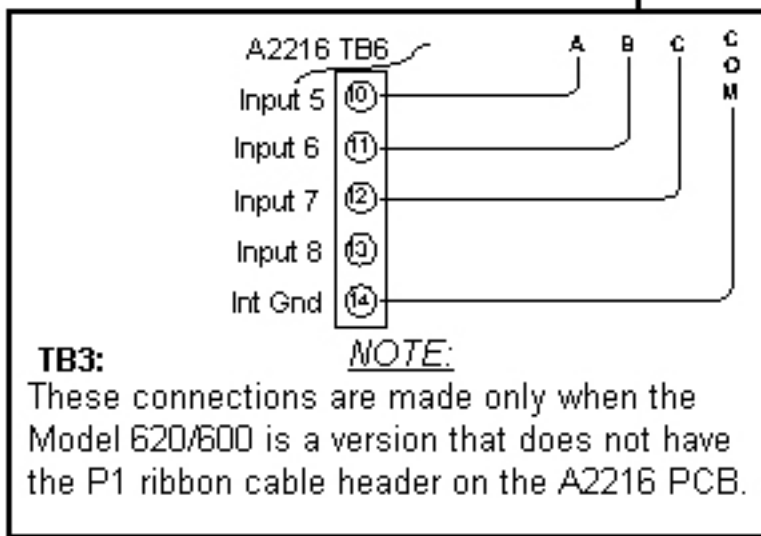
D7 - Cool LED & D14 - Heat LED:
 Changes in intensity with increase of output. If 4-20mA is selected (S1 & S2) LED will dimly glow with 0% output.

OUTPUT TEST:

Remove connections from TB2 - 1 & 2 and 3 & 4. Either jumper or place current meter across 1 & 2 and 3 & 4. Disconnect ribbon cable from J1. The outputs will go to 100% (16mA or 20mA) The associated LED, D7 or D14 will turn on.

If the output device does not operate and the LED does not turn on when reconnected the output circuit is open.

If the output tests correctly and the output device does not operate properly check the Loop configuration.



TB3: These connections are made only when the Model 620/600 is a version that does not have the P1 ribbon cable header on the A2216 PCB.

NOTE:

J3 & J4: Connect to second Model 620A/600A for Sync operation.

J2: Connect to first Model 620A/600 when second unit is used in Sync operation.

J1: Fast Analog board input connection from Model 620A/600A, A2216 PCB connector P3. Fast Analog Output from 620A/600A provided only by loop 1.

TB4 Pin:
 1 - Cool Enable
 2 - Heat Enable
 3 - NC
 4 - Gnd.
 Relay contacts can be used to enable and disable heat and cool outputs.

TMC Services Inc.
 P.O. Box 157
 Elk River, MN 55330

Phone: 763-241-1456
Fax: 763-241-1829
Email: jcsystems@tmcservices.net
Web: www.jcsystemsinc.com

Synchronizing two Model 620A/600A's, using the A2336-M382 Sync Only Board.

